



Electrolux
PROFESSIONAL

Food Processor TrinityPro Cutter Mixer 3.8 qt - Single Speed - US plug

ITEM # _____

MODEL # _____

NAME # _____

SIS # _____

AIA # _____



600999 (K36US)

Cutter Mixer 3.8 qt with
stainless steel bowl, 1800
rpm, USA plug

Short Form Specification

Item No. _____

Table top Cutter Mixer. 3.8 qt., stainless steel bowl with scraper and central feed hole for adding products in mid-cycle. Transparent copolyester lid. Microtoothed blade rotor. Angled blades and conical base of the bowl ensure consistent mixing. All ingredients are processed evenly and quickly thanks to a special flow generated inside the bowl. No-volt release system prevents accidental start of the appliance. All parts in contact with food are removable and Dishwasher safe. Watertight, easy to clean, flat, soft-touch buttons. Single speed 1800 rpm with on/pulse/off function for simple operations. With US plug.

Main Features

- Tabletop cutter mixer and emulsifier allowing fast chopping, mixing, mincing, griding, liquidizing and kneading.
- Bowl/lid scraper included for uniform smooth results (emulsifying) and continuous working.
- Transparent lid, with funnel shaped hole, to add ingredients during use.
- All ingredients are processed evenly and quickly thanks to a special movement generated inside the bowl.
- Easy to clean and watertight control panel with on/off button and pulse function.
- Pulse function to coarse chopping.
- All parts in contact with food are removable without the use of tools, completely dismountable and dishwasher safe.
- ErgoCert 4-star certification for ergonomic design and ease of use.
- Productivity up to 50 settings per service.
- Includes 3.8 quart stainless steel bowl with micro-toothed blades rotor.

Construction

- Transparent copolyester bowl
- Microtoothed blades in 420 AISI stainless steel and ergonomic scraper in high resistant composite material to ensure consistent mixing.
- compact design, easy to move and store.
- IPX5 (IP55) flat panel touch-control, watertight panel.
- Main switch ON/OFF on the back of the appliance.
- Asynchronous industrial motor with no brushes for high reliability and quiet functioning, stainless steel motor shaft.
- Food safety assured thanks to BPA-free materials and compliance with NSF standards.
- Product safety in accordance with international and UL standards.
- 1 speed: 1800 rpm.
- Motor power: 1 HP/ 750 Watt.

APPROVAL: _____



Experience the Excellence
www.electroluxprofessional.com
foodservice@electrolux.com

Included Accessories

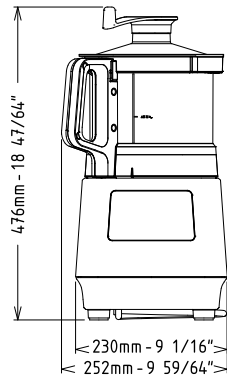
- 1 of TRANSPARENT LID (WITHOUT SEALING) FOR 3,8QT CUTTER MIXER BOWL PNC 650118
- 1 of FINE SERRATED BLADE ROTOR FOR 3.8QT CUTTER MIXER PNC 650233
- 1 of STAINLESS STEEL BOWL FOR 3.8QT CUTTER MIXER PNC 650235
- 1 of SCRAPER FOR 3.8QT CUTTER BOWL PNC 650236

Optional Accessories

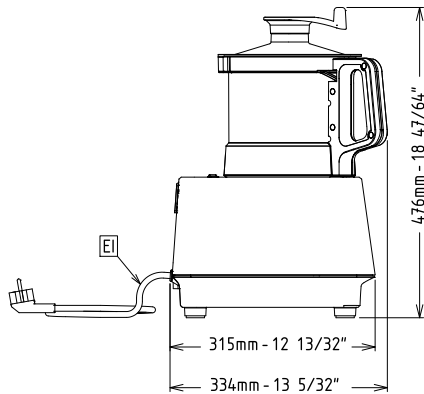
- TRANSPARENT LID (WITHOUT SEALING) FOR 3,8QT CUTTER MIXER BOWL PNC 650118
- FINE SERRATED BLADE ROTOR FOR 3.8QT CUTTER MIXER PNC 650233
- SMOOTH BLADE ROTOR FOR 3.8QT CUTTER MIXER PNC 650234
- STAINLESS STEEL BOWL FOR 3.8QT CUTTER MIXER PNC 650235
- SCRAPER FOR 3.8QT CUTTER BOWL PNC 650236



Front

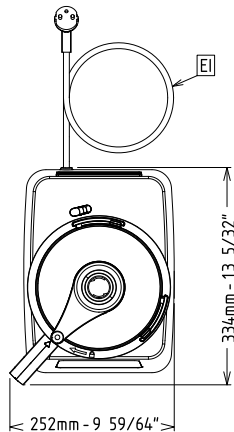


Side



EI = Electrical connection

Top


Electric

Supply voltage:	115 V/1N ph/60 Hz
Electrical power, max:	1 kW
Total Watts:	1 kW

Capacity:

Performance (up to):	0 kg/Cycle
Capacity:	3.6 Litre

Key Information:

External dimensions, Width:	252 mm
External dimensions, Depth:	334 mm
External dimensions, Height:	476 mm
Shipping weight:	19.9 kg